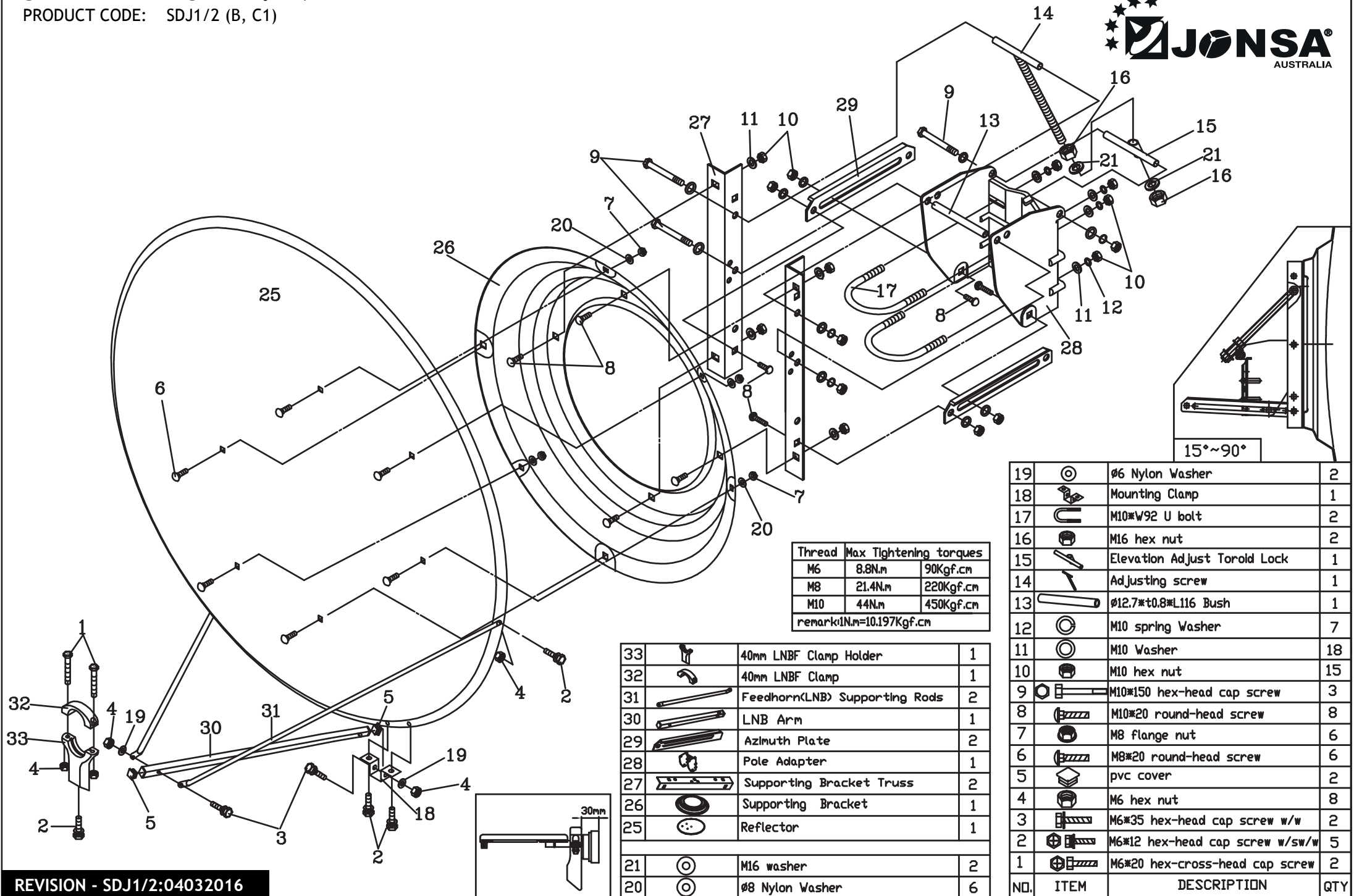


SATELLITE DISH - 1.2 METRE

PRODUCT CODE: SDJ1/2 (B, C1)



Thread	Max Tightening torques	
M6	8.8N.m	90Kgf.cm
M8	21.4N.m	220Kgf.cm
M10	44N.m	450Kgf.cm
remark:1N.m=10.197Kgf.cm		

33		40mm LNB Clamp Holder	1
32		40mm LNB Clamp	1
31		Feedhorn(LNB) Supporting Rods	2
30		LNB Arm	1
29		Azimuth Plate	2
28		Pole Adapter	1
27		Supporting Bracket Truss	2
26		Supporting Bracket	1
25		Reflector	1
21		M16 washer	2
20		ø8 Nylon Washer	6

19		ø6 Nylon Washer	2
18		Mounting Clamp	1
17		M10*W92 U bolt	2
16		M16 hex nut	2
15		Elevation Adjust Toroid Lock	1
14		Adjusting screw	1
13		ø12.7*ø0.8*L116 Bush	1
12		M10 spring Washer	7
11		M10 Washer	18
10		M10 hex nut	15
9		M10*150 hex-head cap screw	3
8		M10*20 round-head screw	8
7		M8 flange nut	6
6		M8*20 round-head screw	6
5		pvc cover	2
4		M6 hex nut	8
3		M6*35 hex-head cap screw w/w	2
2		M6*12 hex-head cap screw w/sw/w	5
1		M6*20 hex-cross-head cap screw	2
NO.	ITEM	DESCRIPTION	QTY

REVISION - SDJ1/2:04032016